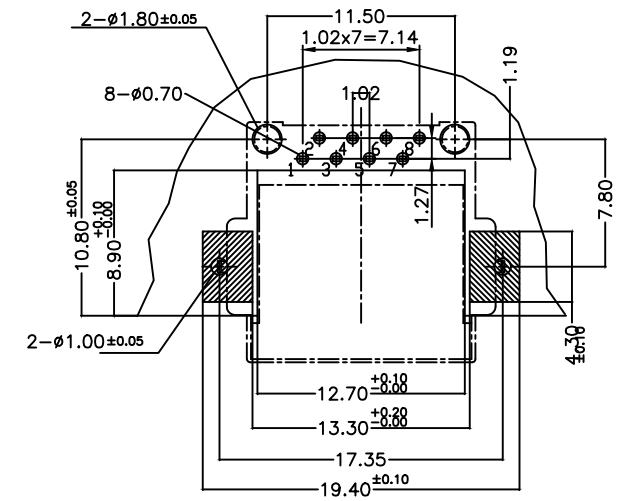
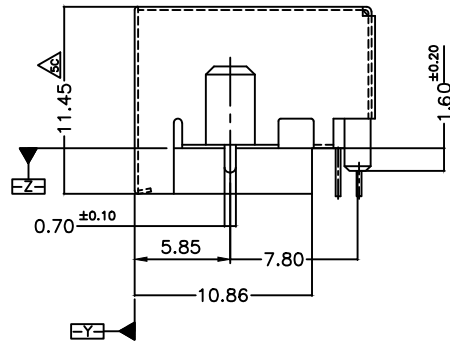
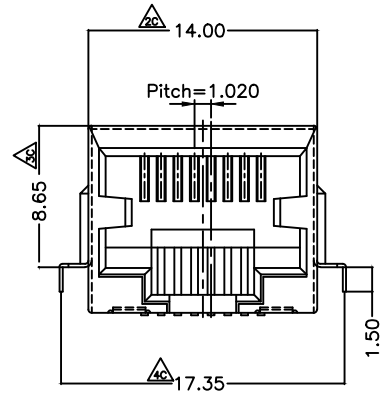


SECTION A-A



RECOMMENDED P.C.B LAYOUT  
TOP VIEW (COMPONENT SIDE)



- Electrical:
- 1.Voltage Rating: 125 Vac Rms
  - 2.Current Rating: 1.5 Amp
  - 3.Contact Resistance: 40 Milliohms Max
  - 4.Insulation Resistance: 1000 Megohms Min@500 Vdc
  - 5.Dielectric Strength: 1000 Vac Rms 60Hz,1Min

- Mechanical:
- 1.Operating: 750 Cycles Min

- Environmental:
- 1.Storage: -40°C To +85°C
  - 2.Opertion: -20°C To +75°C

Mates With Modular Plug Conforming To FCC Part 68,Subpart F

Notes:

MATERIALS

HOUSING: ENGINEERING THERMOPLASTIC FLAMMABILITY  
UL 94V-0

CONTACTS: PHOSPHOR BRONZE

PLATING: GOLD PLATING OVER NICKEL IN CONTACT  
TIN PLANTING OVER NICKEL IN SOLDER AREA

SHIELD: BRASS PLATING NICKEL ALLOY

ROHS

TOLERANCE UNLESS OTHERWISE SPECIFIED		CUSTOMER COPY			Coorle Technology			
LINER	ANGLES	PROJECTION			PROD. EMBEDDED PCB JACK			
0 ± 0.50	± 3'				DESCRIP. (RJ45 8P8C TH,长针)			
.0 ± 0.38					PROD. NUMBER			
.00 ± 0.25								
DESIGN	Wesley Yu	9/21/09	UNIT	SCALE	SIZE	REV.	Http://www.coorle.cn	
APPRO.			MM	/	A4	C	Tel: 0769-81585156 Fax: 0769-81605156	